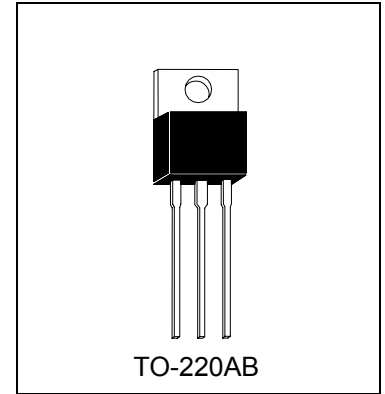


3-TERMINAL NEGATIVE VOLTAGE REGULATOR

PL7918XE3



Description

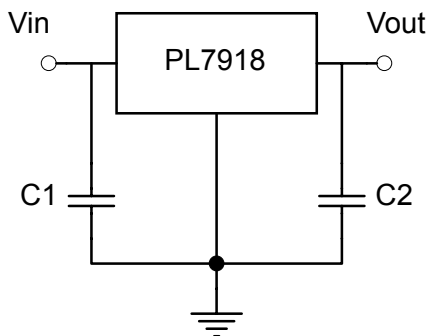
The PL7918XE3 series of three-terminal negative regulators are available in the TO-220AB package. These regulators can provide local on-card regulation, eliminating the distribution problems associated with single point regulation. Each employs internal current limiting, thermal shutdown and safe operating area protection, making it essentially indestructible. If adequate heat sinking is provided, they can deliver over 1A output current. Although designed primarily as fixed voltage regulators, these devices can be used with external components to obtain adjustable voltages and currents.

PL7918XE3 is characterized for operation from 0°C to +125°C, and if operating temperature is always high, please refer to the power dissipation curve.

Absolute Maximum Ratings (Ta=25°C)

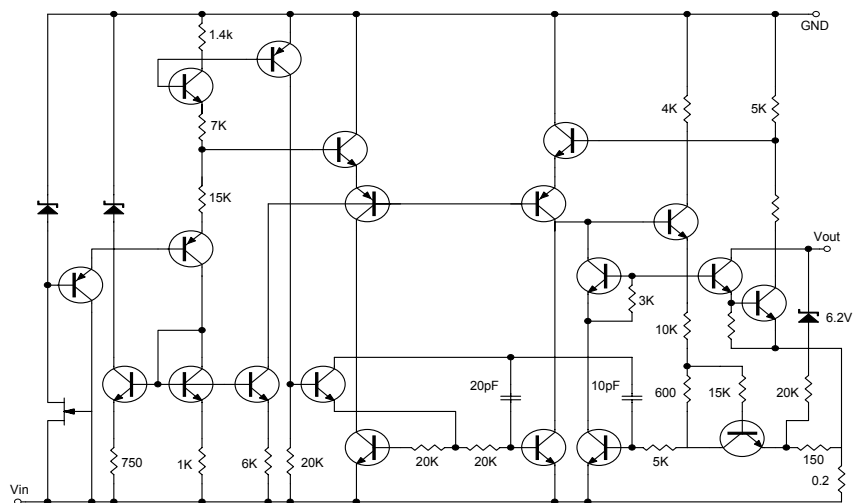
- Input Voltage -35 V
- Total Power Dissipation Internally limited
- Operating Junction Temperature 0 °C to +125 °C
- Maximum Junction Temperature 125 °C
- Storage Temperature Range -55 °C to +150 °C
- Lead Temperature (Soldering 10S) 230 °C

Typical Application



Note:
 Bypass Capacitors are recommended for optimum stability and transient response and should be located as close as possible to the regulator.

Schematic Diagram





Electrical Characteristics

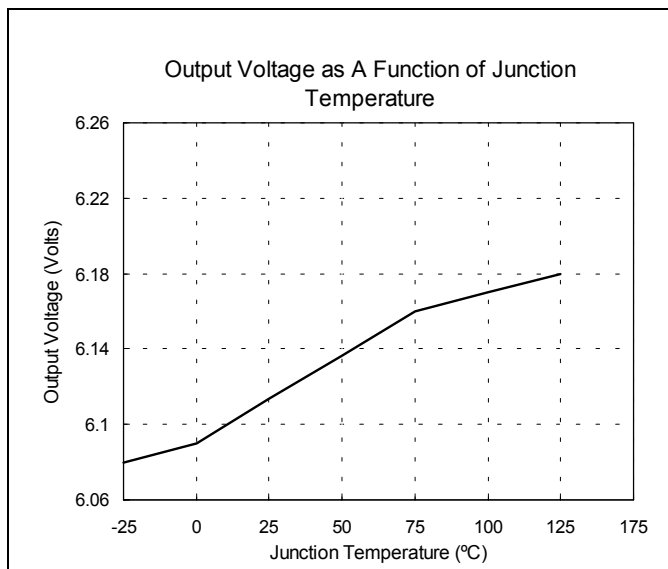
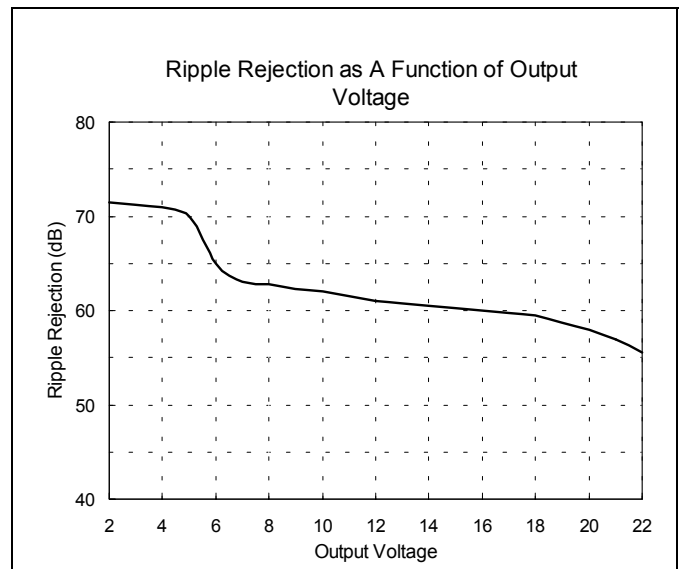
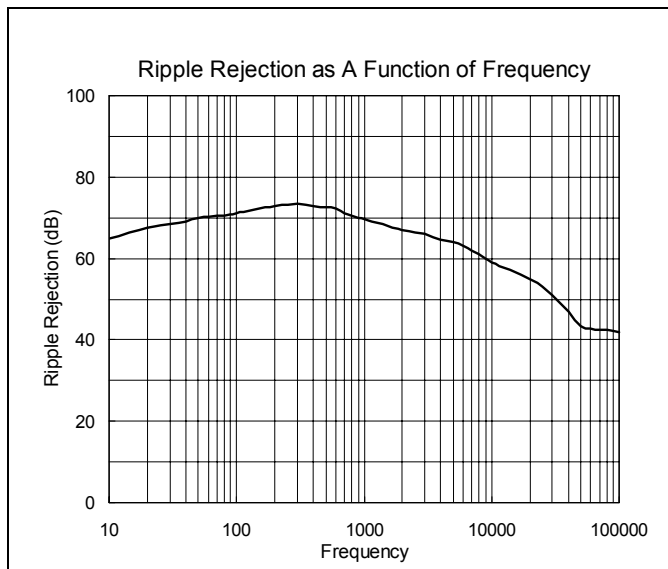
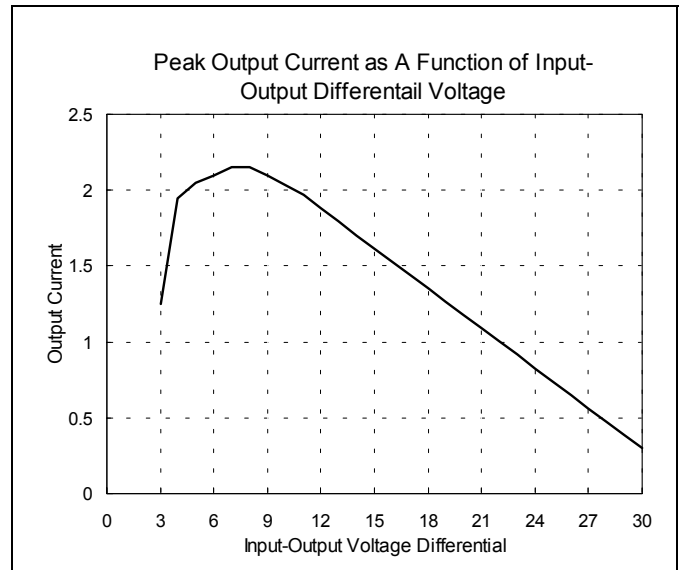
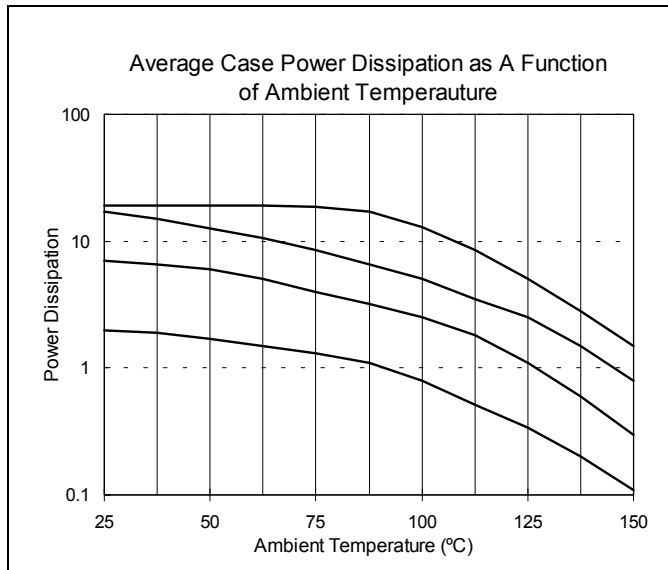
Vin=-27V, Io=500mA, Cin=2.2uF, Cout=1uF, 0°C≤Tj≤125°C (unless otherwise noted)

Symbol	Parameter	Conditions	PL7918A			Units
			Min	Typ	Max	
Vo	Output Voltage	Tj=25°C	-17.64	-18	-18.36	V
		PD≤15W, 5mA≤Io≤1A -22V≥Vin≥-33V	-17.46	-18	-18.54	
ΔVo	Line Regulation	Tj=25°C, -21V≥Vin≥-33V	-	-	360	mV
		Tj=25°C, -24V≥Vin≥-30V	-	-	180	
ΔVo	Load Regulation	5mA≤Io≤1.5A	-	-	360	mV
		250mA≤Io≤750mA	-	-	180	
IQ	Quiescent Current	Io≤1A, Tj=25°C	-	3	8	mA
ΔIQ	Quiescent Current Change	5mA≤Io≤1A	-	-	0.5	mA
		-22V≥Vin≥-33V	-	-	1.0	
ΔVo / ΔT	Output Voltage Drift	Io=5mA	-	-1	-	mV/°C
Vn	Output Noise Voltage	Ta=25°C, 10Hz≤f≤100KHz	-	300	-	μV
RR	Ripple Rejection	ΔVi=10V, f=120Hz	54	68	-	dB
VD	Dropout Voltage	Tj=25°C, Io=1A	-	2	-	V
Isc	Short Circuit Current	Tj=25°C, Vin=-35V	-	2.2	-	A
Ipk	Peak Output Current	Tj=25°C	1.3	2.2	-	A

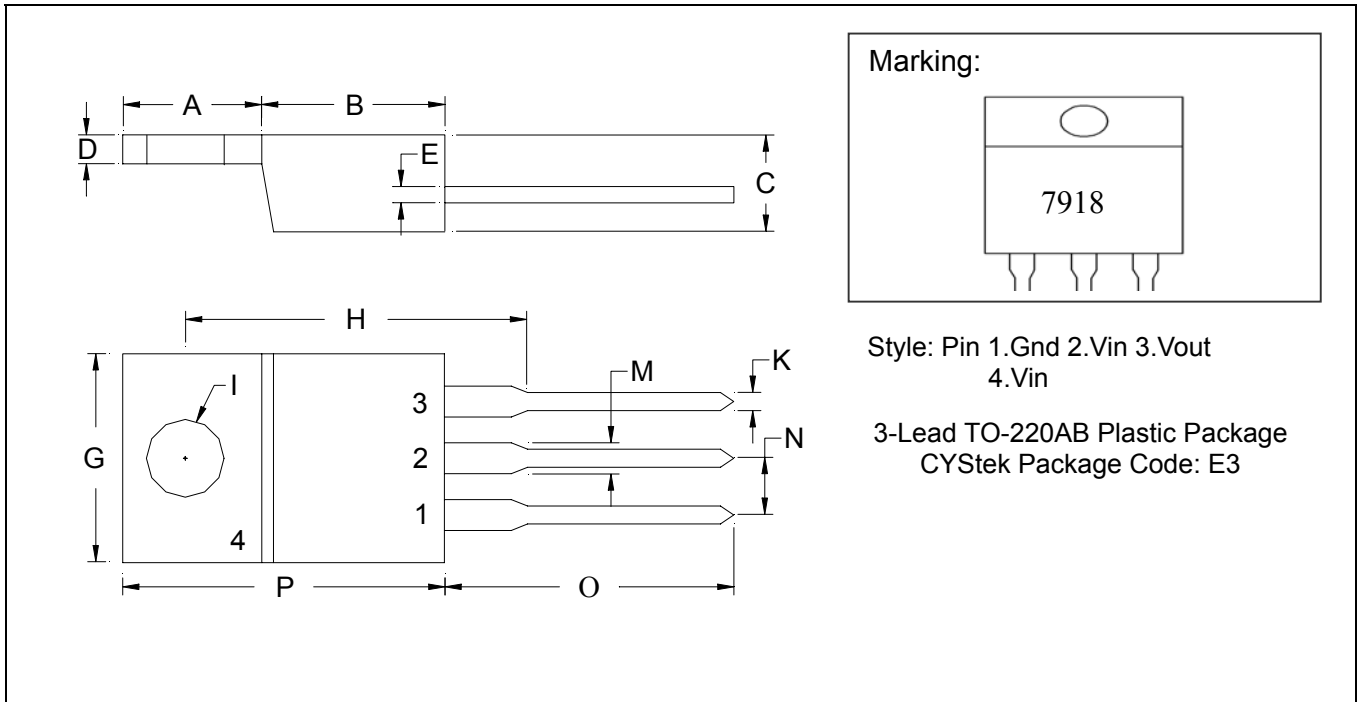
Symbol	Parameter	Conditions	PL7918B			Units
			Min	Typ	Max	
Vo	Output Voltage	Tj=25°C	-17.28	-18	-18.72	V
		PD≤15W, 5mA≤Io≤1A -22V≥Vin≥-33V	-17.1	-18	-18.9	
ΔVo	Line Regulation	Tj=25°C, -21V≥Vin≥-33V	-	-	360	mV
		Tj=25°C, -24V≥Vin≥-30V	-	-	180	
ΔVo	Load Regulation	5mA≤Io≤1.5A	-	-	360	mV
		250mA≤Io≤750mA	-	-	180	
IQ	Quiescent Current	Io≤1A, Tj=25°C	-	3	8	mA
ΔIQ	Quiescent Current Change	5mA≤Io≤1A	-	-	0.5	mA
		-22V≥Vin≥-33V	-	-	1.0	
ΔVo / ΔT	Output Voltage Drift	Io=5mA	-	-1	-	mV/°C
Vn	Output Noise Voltage	Ta=25°C, 10Hz≤f≤100KHz	-	300	-	μV
RR	Ripple Rejection	ΔVi=10V, f=120Hz	54	68	-	dB
VD	Dropout Voltage	Tj=25°C, Io=1A	-	2	-	V
Isc	Short Circuit Current	Tj=25°C, Vin=-35V	-	2.2	-	A
Ipk	Peak Output Current	Tj=25°C	1.3	2.2	-	A



Characteristic Curves



TO-220AB Dimension



*: Typical

DIM	Inches		Millimeters		DIM	Inches		Millimeters	
	Min.	Max.	Min.	Max.		Min.	Max.	Min.	Max.
A	0.2197	0.2949	5.58	7.49	I	-	*0.1508	-	*3.83
B	0.3299	0.3504	8.38	8.90	K	0.0295	0.0374	0.75	0.95
C	0.1732	0.185	4.40	4.70	M	0.0449	0.0551	1.14	1.40
D	0.0453	0.0547	1.15	1.39	N	-	*0.1000	-	*2.54
E	0.0138	0.0236	0.35	0.60	O	0.5000	0.5618	12.70	14.27
G	0.3803	0.4047	9.66	10.28	P	0.5701	0.6248	14.48	15.87
H	-	*0.6398	-	*16.25					

Notes: 1.Controlling dimension: millimeters.

2.Maximum lead thickness includes lead finish thickness, and minimum lead thickness is the minimum thickness of base material.

3.If there is any question with packing specification or packing method, please contact your local CYStek sales office.

Material:

- Lead: 42 Alloy ; solder plating
- Mold Compound: Epoxy resin family, flammability solid burning class: UL94V-0

Important Notice:

- All rights are reserved. Reproduction in whole or in part is prohibited without the prior written approval of CYStek.
- CYStek reserves the right to make changes to its products without notice.
- CYStek **semiconductor products are not warranted to be suitable for use in Life-Support Applications, or systems.**
- CYStek assumes no liability for any consequence of customer product design, infringement of patents, or application assistance.